



LOLUG Connections - Issue 6: Summer 2018

Nebraska Brick Days

LOLUG, along with HobbyTown, had phenomenal success this past year with Nebraska Brick Days – a LEGO® Fan Expo!

As over 5000 LEGO fans attended our event and we will be hosting Nebraska Brick Days – Lincoln August 25th & 26th at the Lancaster County Event Center.

We will be returning to the Mid-America Center in Council Bluffs March 30th & 31st in 2019! We have so many new creations and ideas that we can't wait to show you! Mark your calendars and don't delay in joining LOLUG now and get involved!

Follow LOLUG on Facebook to get all the updates



What is Nebraska Brick Days?

Nebraska Brick Days is hours of LEGO® fun for the entire family to enjoy including LEGO® themed games and competitions. Guests can be inspired by looking at custom creations from the Midwest's Best LEGO® builders. Nebraska Brick Days provides an atmosphere that encourages the growth and use of imagination within children, both young and old, through the use of LEGO®.



LOLUG attends Brickworld Chicago

Wait. What is Brickworld Chicago?

Brickworld is the premier AFOL (Adult Fan of LEGO) convention in the USA. This past year saw over 1000 registered AFOL's attending the 5 day LEGO® convention. It is truly a worldwide convention with AFOLs attending from Denmark, Germany, England, Sweden, Mexico, Canada and many more!

Over 20 members headed to Chicago for Brickworld 2018. Brickworld should be on any bucket list for a LEGO fan! The creations are mind blowing and the relationships you develop with fellow fans are lifelong.

LOLUG represented the state of Nebraska very well as we came home with the following trophies:

Maci Flood took home the trophy for Junior Minifig Speed Build. This was her first win on the major stage as she has competed since her first year of attending Brickworld.

AJ Christiansen continued his domination of the Minifig Speed Build. Member of LOLUG have lost track of how many years in a row he has won but it is roughly 7 or 8.

Marshall Stoneman took home the trophy for Best Creature with his Dragon's Wrath (which was also the popular choice at Nebraska Brick Days). He was also nominated for Best Mecha.

Nate Flood was nominated for Best Train, Best Humor, and Brickworld Master. The trophy for Best Humor (Carhenge) is headed to Nebraska!



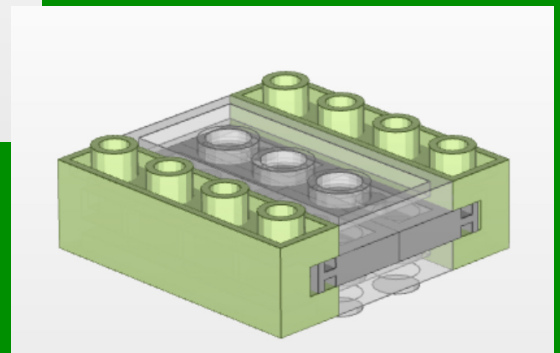
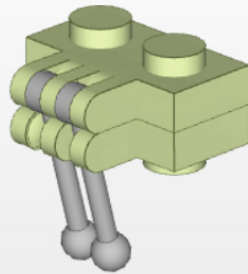
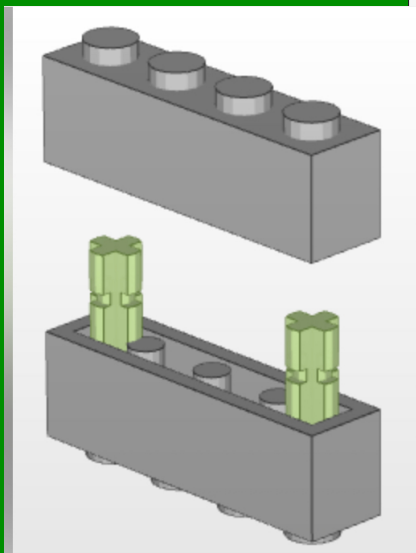
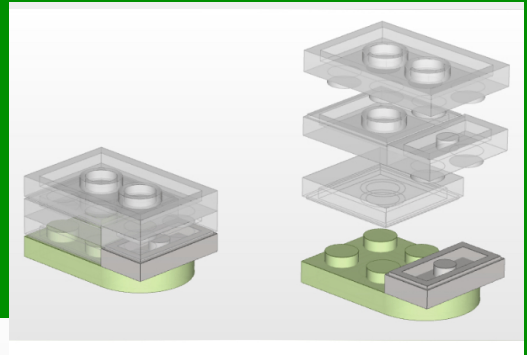
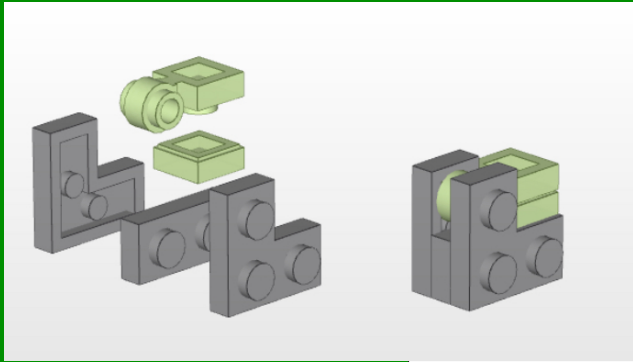
LOLUG is Family

The LEGO® brick not only brings our creativity together it also brings families together. LOLUG doesn't build 24/7 so we have time to socialize with each other during moments when LEGO® doesn't consume our lives. We celebrate the birthday of our members or socialize at a mixer. LOLUG is much more than just a social club. LOLUG not only connects our love for LEGO® but also enjoying each other's company.



LOLUG Connections

LOLUG members are very knowledgeable about overcoming connection issues when building your own creation. If you are having trouble with a certain technique of your creation; don't hesitate to reach out to the membership of LOLUG. One of the enjoyable aspects of LEGO® is discovering new techniques to connect bricks. Here are a few of our favorites from www.swooshable.com. It is an insightful website that is inspiring for any LEGO® builder.





-Spotlight Builder-

Nate Flood

Nate Flood

Age: 49

How long have you been an AFOL (Adult Fan of LEGO):

15 years

Did you have a dark age? (not interested in LEGO)

Yes from around the age of 13 until 33. I didn't get back in until I was I was in the toy aisle with my daughter at Target. I found a Star Wars set on deep discount and figured it would be fun to put together while she took her nap. I was hooked by page 3 of the instructions. Luckily my parents had kept all of my old LEGO and was quickly building again.

Do you have a favorite MOC (My own creation)?

Probably my mini-fig scale Type VIIc German U-Boat with detailed interior.

What advice would give builders both young and old?

Start building! If you know something that you want to build or replicate begin by studying it and figure out which LEGO parts would be good substitutes. Your skills only increase as you gain experience with the LEGO catalog of parts.



What was your first LEGO set?

It was set # 730 – Steam Shovel with Carrier. I remember building it and playing with it for hours. I then realized that it could become whatever my imagination wanted. It quickly became a spaceship by days end and my love for LEGO was born.

Proudest LEGO moment?

I have quite a few but starting LOLUG with Chris Malloy in 2012 and bringing joy and inspiration to those who attend our events and meetings. LOLUG provides a connection for the love of LEGO. It is a family atmosphere where we can learn and be inspired by one another. The community support for LOLUG is very humbling. So many individuals and businesses in Lincoln and Omaha are so supportive that words can't express how thankful we are for their continued support by allowing us meeting or display space.

Another moment that can't go unmentioned is my daughter Maci Flood (same daughter that was at Target when I came out of my dark ages) winning junior mini-fig speed builder at Brickworld 2018.

What is favorite thing about LOLUG?

Being able to develop friendships with those who have the same passion and love for LEGO. The knowledge of the membership in the LUG is inspiring and I know if I have a connection problem a member will be able to help me. Our membership is also so generous that if I need a few parts to finish a creation that they usually will help me out without having to make an order online or source the parts through the LEGO store's Pick-a-Brick wall. I also enjoy their company in social settings as it's very relaxing to visit about the new set or mini-fig that will be hitting the market.



A few of Nate Flood's creations





I want to join LOLUG!

If you are ready to join then there is one simple way to get involved! To join LOLUG you must simply attend a meeting and introduce yourself!

If you don't feel comfortable coming to a meeting you are welcome to follow us on our public Facebook page or on our website – www.lolugclub.com. We post when we have meetings or where we will display our creations next!

Please follow the links on our page and give us a “like” on Facebook! It is the easiest to be notified of our recent news!

Please see our website for a few membership options!

LOLUG is open to anyone 16 years and older. If you are under 18, a parent/guardian must accompany you to all LUG events.



LOLUG's Mailbox

I saw your trains at Railroad Days; where can I buy them?

Lego makes trains but they don't look like what we build. Ours have a more realistic approach while LEGO is aimed towards the younger teens and children. To produce what LOLUG members build we suggest looking online for examples and tips. Trains are some of more complex models to build and takes months to complete.

I see you identify yourself as a LUG – what is that?

It is a LEGO User Group (like a club) but LOLUG is actually an R-LUG (Recognized LEGO User Group). It means that LEGO identifies LOLUG on their website and allows us to communicate with them directly.

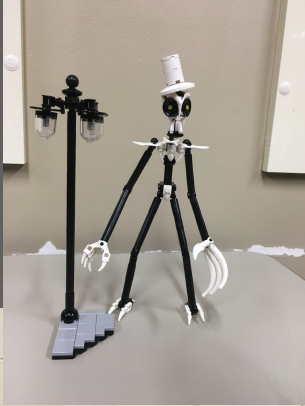
I love LEGO but why should I join LOLUG?

If you love talking about LEGO or want to show your creations to the public then LOLUG is perfect for you. We meet every month and alternate between Lincoln and Omaha. We organize many events including Nebraska Brick Days as an avenue for members to display their custom built creations.

Have a question you want answered? Private message us via Facebook or email us at lolugclub@gmail.com .



LOLUG Photo Gallery



Thank you HobbyTown

LOLUG wants to recognize HobbyTown for their continued support of our group. HobbyTown has been an unbelievable sponsor of LOLUG since 2012 by hosting our events from the start that have lead to Nebraska Brick Days. If you are looking for new LEGO® sets, baseplates, railroad track, collectable mini-figs, or even exclusive sets that usually reserved for LEGO® store visits – see Dan at HobbyTown and say you are a fan of LOLUG!

HobbyTown is located in Lincoln, Nebraska at 4107 Pioneer Woods

2019 and beyond!

As planning is underway for Nebraska Brick Days in March 2019 – we also have many more projects and events that we aren't ready to reveal quite yet.

With that being said we have some very special surprises for those who follow us on Facebook by liking and sharing our page! “LOLUG Connections” will connect all fans of LEGO in our area! More details coming soon...



LOLUG Glossary of Terms

AFOL – Adult Fan of LEGO

TFOL – Teen Fan of LEGO

KFOL – Kid Fan of LEGO

LAN – LEGO Ambassador Network

MOC – My Own Creation

LUG – LEGO User Group

SNOT – Studs not on Top

Bricklink – an online marketplace for LEGO

BURP – Big Ugly Rock Piece

LURP – Little Ugly Rock Piece

Builder – A fan whose interest is MOC's

Collector – A fan whose interest is sets

Dark Ages – A time frame a fan sets aside LEGO

Shop at Home (S&P) – LEGO's online store

SHIP – Super Huge Investment in Parts

STUD – The bump on the surface of LEGO

UCS –Ultimate Collector Series



Contact Us

For any information about LOLUG and our meetings,
events and social media links – please visit

www.lolugclub.com

August 25th & 26th- Nebraska Brick Days Lincoln

March 30th & 31st – Nebraska Brick Days Omaha

www.brickdays.com

Visit Facebook – search LOLUG and like or follow to stay up to date
on all Nebraska Brick Days announcements!

LEGO® is a trademark of the LEGO Group of companies
which does not sponsor, authorize or endorse LOLUG or
Nebraska Brick Days.

